

I A S U S



REKON
THE ULTIMATE SMART CO-PILOT

MODEL NUMBER: IA-RK-BASIC-BT

Thank You for choosing the IASUSREKON Communicator Headset, a precision crafted, functionally packed, personal communication device designed for your helmet.

In this manual, you will find instructions to operate your REKON Communicator Headset with Bluetooth enabled devices. Should you have any questions and require assistance with setup and usage, please feel free to visit our website:

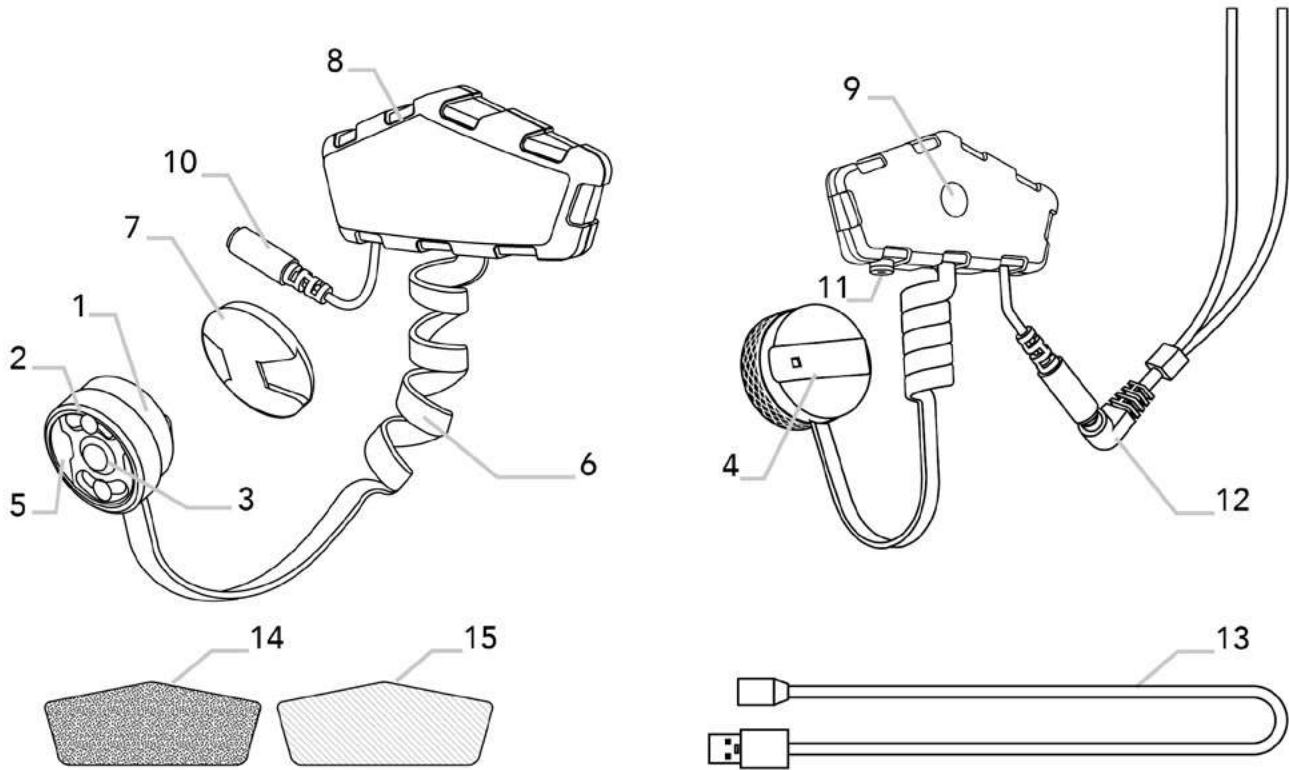
W W W . I A S U S - C O N C E P T S . C O M

or contact us directly at: info@iasus-concepts.com

TABLE OF CONTENTS

PACKAGE CONTENTS	3
SPECIFICATIONS	3
ABOUT THIS MANUAL	4
INSTALLING REKON INTERFACE	4
INSTALLING REKON BASE.....	4
HORIZONTAL POSITION	5
VERTICAL POSITION	5
DETACHING REKON.....	6
CHARGING REKON	6
3.5MM AUDIO CONNECTOR.....	7
BLUETOOTH PAIRING.....	7
PAIRING A SECOND DEVICE.....	8
CONTROLS	9
GETTING STRATED	9
MUSIC MODE	9
PHONE MODE	10
VOICE COMMAND	10
VOLUME LEVELS ON MUSIC MODE & PHONE MODE.....	10
LED INDICATOR CHART	11
TROUBLESHOOTING.....	12
1-YEAR LIMITED WARRANTY	13

PACKAGE CONTENTS



- | | | |
|-----------------------------------|---|---|
| 1 REKON Interface | 7 Mount for REKON Interface | 13 Charging Cable |
| 2 Control Dial | 8 REKON Base | 14 3M Velcro Adhesive (Loop) |
| 3 Center Button | 9 Microphone | 15 3M Velcro Adhesive (Hook) |
| 4 Quick Release Clip | 10 3.5mm Audio Output Connector | |
| 5 LED Indicators | 11 Magnetic Charging Port | |
| 6 Interconnect Cable | 12 Connector from Helmet Speakers
(Helmet Speakers not included) | |

TIP: REKON comes charged and ready to use.

SPECIFICATIONS



SUPPORTED PROFILES

- | | |
|------------|---------|
| AVRCP 1.6 | HSP 1.2 |
| A2DP 1.3.1 | SPP 1.2 |
| HFP 1.7 | BLE 5.0 |



- | | |
|------------------|------------------|
| PLAYBACK TIME | 9 HOURS |
| CALL TIME | 10 HOURS |
| STAND-BY TIME | 250 HOURS |
| CHARGING TIME | 90 MINUTES |
| CHARGING SPECS | 5V |
| BATTERY CAPACITY | 150mAh |



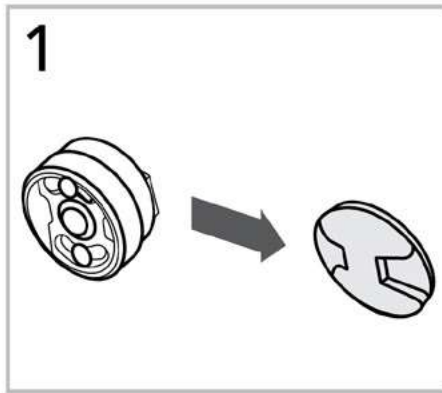
Ingress Protection Rating against dust and water

ABOUT THIS MANUAL

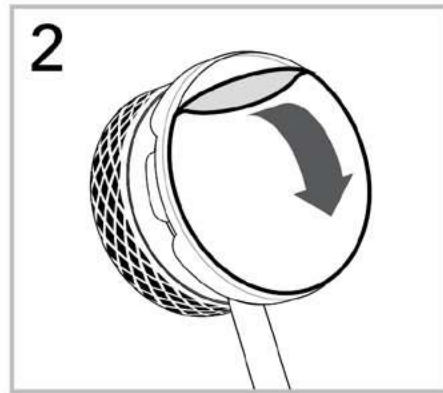
Any references made to rotating the control dial to your left and right is from **the viewpoint of wearing your helmet.**

1 - INSTALLING REKON INTERFACE

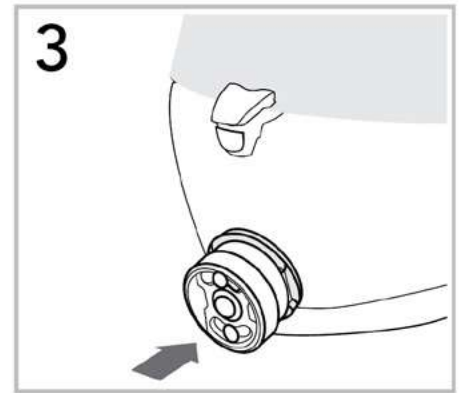
REKON Interface is designed to be positioned on the outside front section of your helmet through the use of a quick release clip mount for easy installation and removal.



Clean the mounting surface of your helmet. Secure REKON Interface (1) to REKON Mount (7).



Peel away the backing paper on REKON mount.



Position on your helmet and press firmly.

2 - INSTALLING REKON BASE

REKON Base (8) can be installed inside the helmet either vertically or horizontally. Use the included Velcro adhesives for installation. The Velcro provides a quick release when removal is necessary.

To allow REKON to fully capture your voice inputs, position the microphone (9) directly in line with your mouth.

To maximize the microphone input capabilities, position the microphone (9) directly in line with your mouth. Provide sufficient space between the base and your mouth for both comfort and safety.

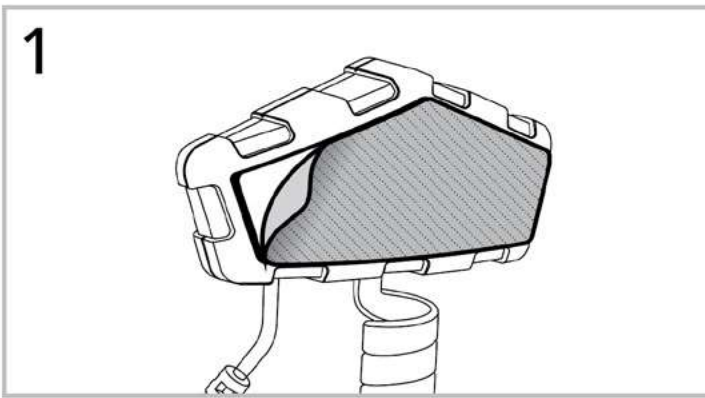


HORIZONTAL POSITION

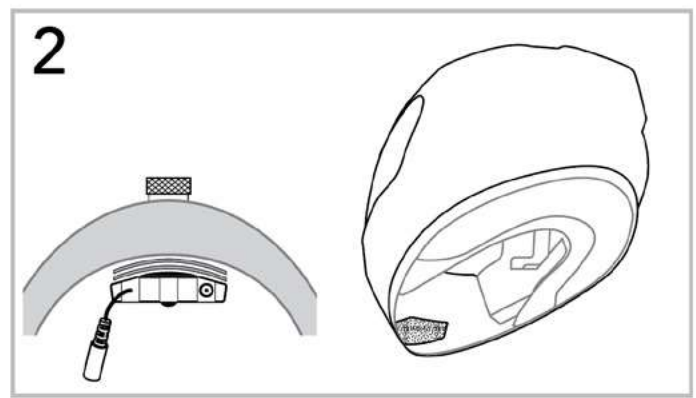


VERTICAL POSITION

HORIZONTAL POSITION

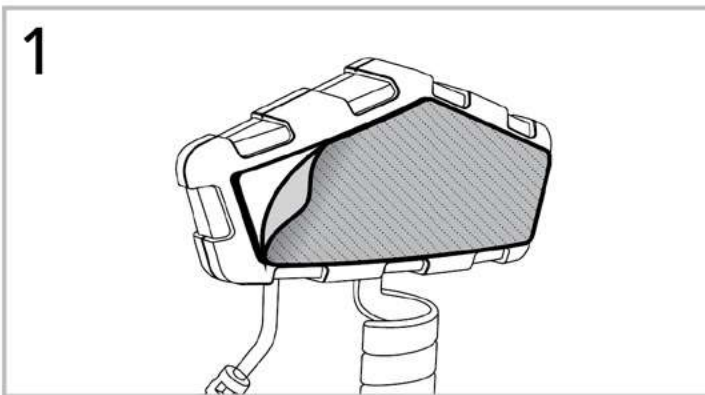


1
Clean the mounting surface inside your helmet. Peel away the backing paper on the Hook Velcro (15) and attach it onto the REKON base.

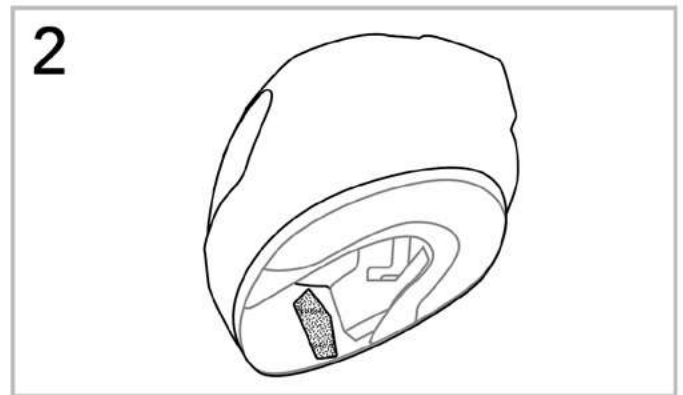


2
Attach the Loop Velcro (14) horizontally to the inside of the chin guard. Position and install REKON Base onto the Velcro inside the helmet.

VERTICAL POSITION

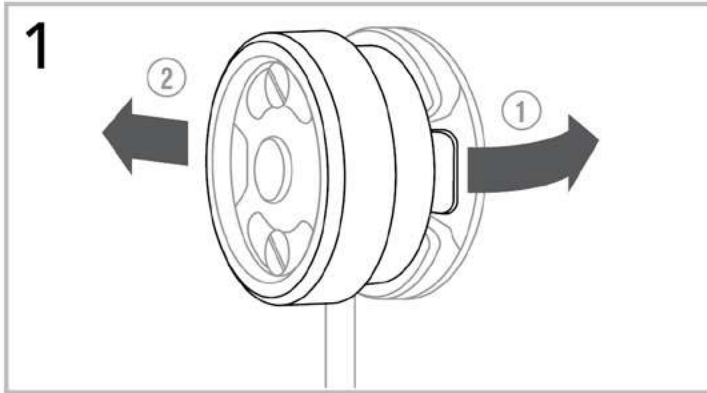


1
Clean the mounting surface inside your helmet. Peel away the backing paper on the hook Velcro and place it onto the REKON Base.

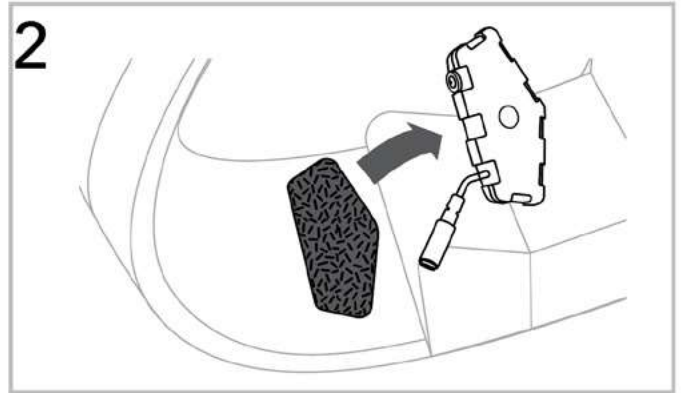


2
Attach the Loop Velcro vertically to the inside of the chin guard. Position and install REKON Base onto the Velcro inside the helmet.

DETACHING REKON

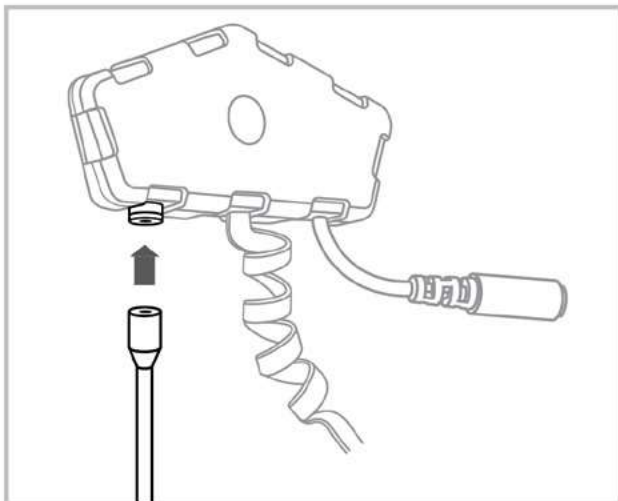


To unclip REKON Interface (1) from its mount (7), lift the quick release clip (4) and slide REKON to the side.

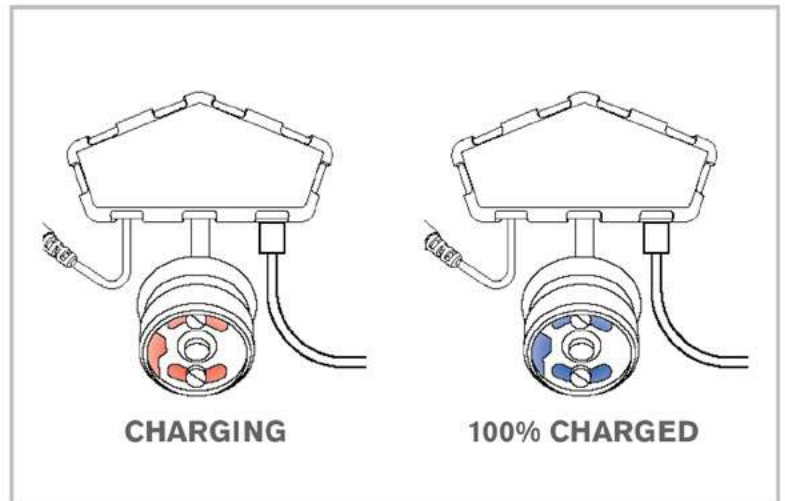


Then remove REKON Base (8) from its Velcro mount (14).

CHARGING REKON



REKON comes shipped with its battery charged and ready to use. When charging is needed, connect the included USB cable (13) to the Magnetic Connector (11) located on the bottom of REKON Base.



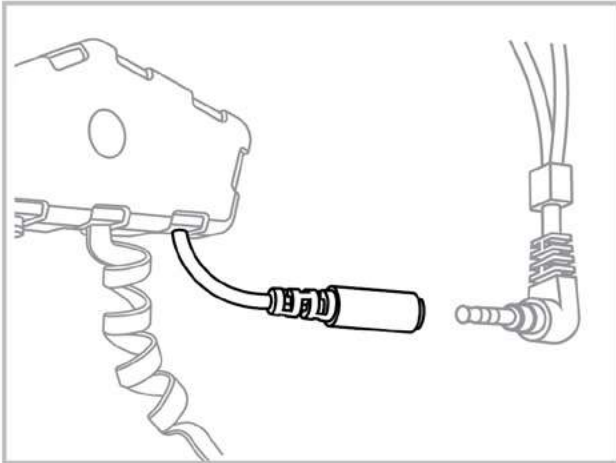
A full charge completes in about **90 minutes**. The background LED on the Center Button will be red until it is fully charged, at which point turns blue.

To extend the life of the battery, we recommend not using fast chargers (>500mA). To avoid damage to the battery, refrain from draining completely to zero and leaving it uncharged for an extended amount of time. Keep REKON fully charged if stored for extended periods of time.



The REKON battery is sealed inside the unit and is not user serviceable. Please contact IASUS for issues with the battery. For proper disposal of this product at the end of its working life, consult your local laws for proper electronics and battery recycling and disposal. If you are not sure, do not deposit in unsorted waste but drop it off at your local or regional collection point for recycling to prevent any possible harm to the environment or human health.

3.5MM AUDIO OUTPUT CONNECTOR

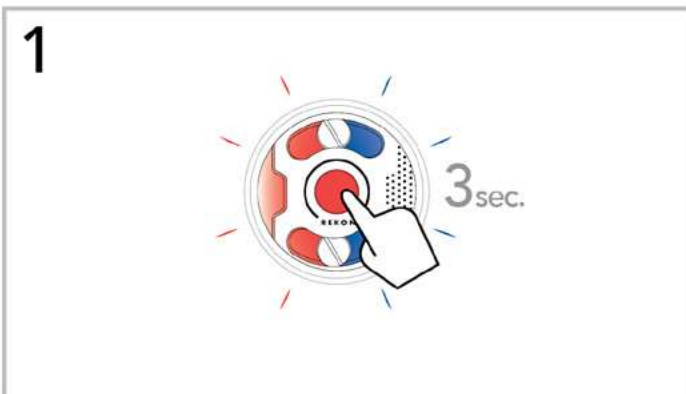


REKON is equipped with a 3.5mm audio output connector that is optimized for the following IASUS audio accessories :

- XSound 3 - High Definition Helmet Speakers
- XSound 2.1 - Helmet Speakers
- iA Waterproof Earbuds
- Future IASUS helmet speakers and earbuds products

IASUS cannot guarantee the compatibility and sound quality of any third party helmet speakers and earbuds when used with REKON as they may not be acoustically tuned to IASUS audio standards.

BLUETOOTH PAIRING



TURN PAIRING MODE ON

Press and Hold Center Button for at least 3 second until background LED flashes Red and Blue with an audible pairing tone.



PAIR DEVICE

Find "REKON" in the list of available devices in the Bluetooth menu of the device you are pairing.

The IASUS REKON uses standard Bluetooth 5.0 protocols. When paired with newer devices, there is no need to enter a passcode. For older Bluetooth equipped devices, enter the code "0000".

PAIRING A SECOND DEVICE



TURN PAIRING MODE ON

The IASUS REKON allows for pairing with two Bluetooth enabled devices at the same time (smart phone, GPS, mp3 player, etc.)

To pair a second device, after REKON is paired with the first device, press and hold the Center Button for at least 3 seconds to get into pairing mode.



PAIR SECOND DEVICE

Find "REKON" in the list of available devices in the Bluetooth menu in the device you are pairing.

The IASUS REKON uses standard Bluetooth 5.0 protocols. When paired with newer devices, there is no need to enter a passcode. For older Bluetooth equipped devices, enter the code "0000".



RECONNECT FIRST DEVICE

Pairing the second device will disconnect REKON from the first device - this is normal. Go to your first device's Bluetooth settings and manually reconnect to REKON.

CONTROLS

REKON interface is carefully designed and built on 3 main user actions to achieve a minimalistic appearance, yet still able to perform full Bluetooth functions. Any references made to rotating the Control Dial to your left and right is **from the viewpoint of wearing your helmet**.

- Turning the Interface Dial to the left (counter-clockwise)
- Turning the Interface Dial to the right (clockwise)
- Pressing the clear Center Button

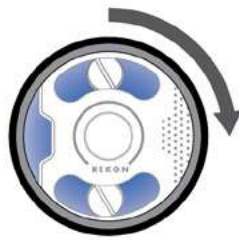
This REKON Interface Dial is made of CNC aluminum and the Center Button cover from tempered glass. It is ergonomically designed to be easily operated, even with gloves.

The headset emits a beep tone to indicate a function has been activated by your input.

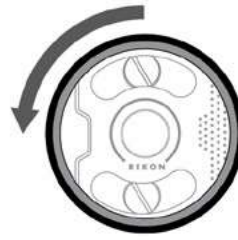
GETTING STARTED




 **POWER ON**
Press & hold Center Button for 2 seconds



 **POWER OFF**
Rotate Dial left & hold until blue LED stops flashing



 **VOLUME UP**
Rotate Dial right once and release



 **VOLUME DOWN**
Rotate Dial left once and release

MUSIC MODE



 **PLAY / PAUSE MUSIC**
Press Center Button once



 **PREVIOUS TRACK**
Rotate Dial left twice and release



 **NEXT TRACK**
Rotate Dial right twice and release

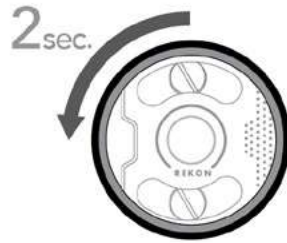
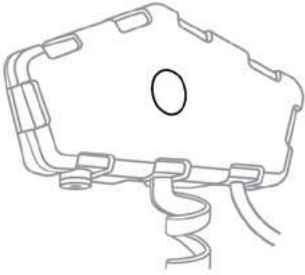
PHONE MODE



  **ANSWER/END CALL**
Press Center Button once

 **REDIAL**
Press Center Button twice

VOICE COMMAND



 **VOICE ACTIVATED**

Say 'Hey Siri' on iPhones*
or 'Ok Google/Hey Google'
on Android phones*

 **VOICE COMMAND**

Rotate Dial right
& hold for 2 seconds or until
voice assistant is activated

*Ensure that Voice Command is activated
in your device's settings menu.

VOLUME LEVELS ON MUSIC MODE & PHONE MODE

During Music Mode (music playback), REKON's volume level is adjusted independently of the phone's Bluetooth playback volume. During a phone call, REKON's volume and the phone's volume are linked, following standard Bluetooth protocol.

TIP: If you experience low volume on Music Mode, be sure the volume is turned up on your phone as well as on REKON.

Example: When adjusting REKON's volume in Music Mode, the phone's Bluetooth volume is not affected. However, in Phone Mode, adjusting REKON's volume during a call affects the phone's Bluetooth volume as well.

LED INDICATOR DEFINITION

	1 FLASH EVERY SECOND	<ul style="list-style-type: none">• REKON ON, BUT NOT PAIRED WITH ANY BLUETOOTH DEVICE
	1 FLASH EVERY 2 SECONDS	<ul style="list-style-type: none">• PAIRED• PHONE OR MUSIC PROFILE CONNECTED
	2 FLASHES EVERY 2 SECONDS ON MUSIC MODE	<ul style="list-style-type: none">• PLAYING BACK MUSIC
	1 FLASH EVERY SECOND ON PHONE MODE	<ul style="list-style-type: none">• ON A PHONE CALL
	FLASH ALTERNATELY	<ul style="list-style-type: none">• PAIRING MODE. REKON READY TO PAIR WITH DEVICE
	FLASHING	<ul style="list-style-type: none">• LOW BATTERY
	SOLID LIGHT	<ul style="list-style-type: none">• CHARGING
	NO LIGHT	<ul style="list-style-type: none">• REKON OFF
	NO LIGHT WHILE CHARGING	<ul style="list-style-type: none">• FINISH CHARGING

TROUBLESHOOTING

I paired REKON to my PC and when Windows tried to automatically install the drivers for REKON, it comes back with multiple “Bluetooth Peripheral Device – No Driver Found” errors. Where can I find the drivers?

This means Windows was not able to find any Bluetooth drivers for your PC hardware. Please ensure you have your computer manufacturer’s Bluetooth software suite installed and try to pair REKON again. It should automatically install all Bluetooth related functionalities of REKON upon pairing.

REKON’s charging light remains red and does not turn blue.

Ensure you’re using a charger with an output of 500mA or less. If problem persists, contact IASUS customer support.

REKON’s volume when playing music is very low.

During Music Mode (music playback), REKON’s volume level is adjusted independently of the phone’s Bluetooth playback volume. If you experience low volume on Music Mode, be sure the volume is turned up on your phone as well as on the REKON.

1-YEAR LIMITED WARRANTY

IASUS Concepts Limited warrants that the IASUS REKON sold by IASUS Concepts or its authorized agents is free from defects in materials and workmanship under normal use for one year. This warranty is only applicable to the original purchaser in possession of a dated sales document receipt that includes the name and the company from which it was purchased. This warranty is in lieu of and excludes all other warranties, expressed or implied, including any implied warranty of merchantability or fitness, and of any other obligation on the part of IASUS Concepts Limited.

WHAT THIS WARRANTY DOES NOT COVER

- Damage from improper operation, misuse, neglect such as dropping the product onto hard surfaces, contact with extreme humidity or heat, or acts of nature (lightning, floods, power surges, etc.).
- Products that may have been tested, adjusted, installed, maintained, repaired or altered in any way by persons not expressly approved by IASUS Concepts Limited.
- Cords that are stretched, burnt, torn or cut.
- Products purchased more than 12 months previous to the current date.
- Products that are not accompanied by a valid proof of purchase.

TO REGISTER FOR YOUR WARRANTY

You must register your product to receive warranty service. To do so and to view detailed information about our warranty service, please visit :

<https://iasus-concepts.com/warranty/>

TO GET WARRANTY SERVICE FROM IASUS CONCEPTS

Please contact our customer service department via our website. Once you have done so, you will receive instructions on how to ship the products to IASUS Concepts or to one of our designated service centers. If instructed to ship the product, you must ship it with freight, duties and insurance prepaid. Regardless of where you are instructed to ship your product, you must include:

- A copy of your dated sales document receipt
- A fully completed Return Materials Authorization (RMA) form.
- Payment for any services or repairs not covered by the warranty. This will have been predetermined with your customer service representative.

LEGAL INFORMATION

There is no informal dispute settlement mechanism available. This warranty gives you specific legal rights, and you may also have other rights, which vary geographically. Some areas do not allow limitations on how long an implied warranty last and/or do not allow the exclusions or limitations or consequential damages. IF this is true for your area, the above limitations or exclusions may not apply to you. IASUS Concepts shall not be liable for any special or consequential damages or for loss or expense directly or indirectly arising from use of the product, inability to use the product in combination with other equipment, or from any other cause. IASUS Concepts reserves the right to make changes in the design of the product and to make additions or improvements to it without incurring any obligation to modify any products previously sold.

FOR LATEST NEWS AND PRODUCTS,
FOLLOW US ON SOCIAL MEDIA

 /iasus.concepts
 /zerobackgroundnoise